



# VCCM600 SERIES

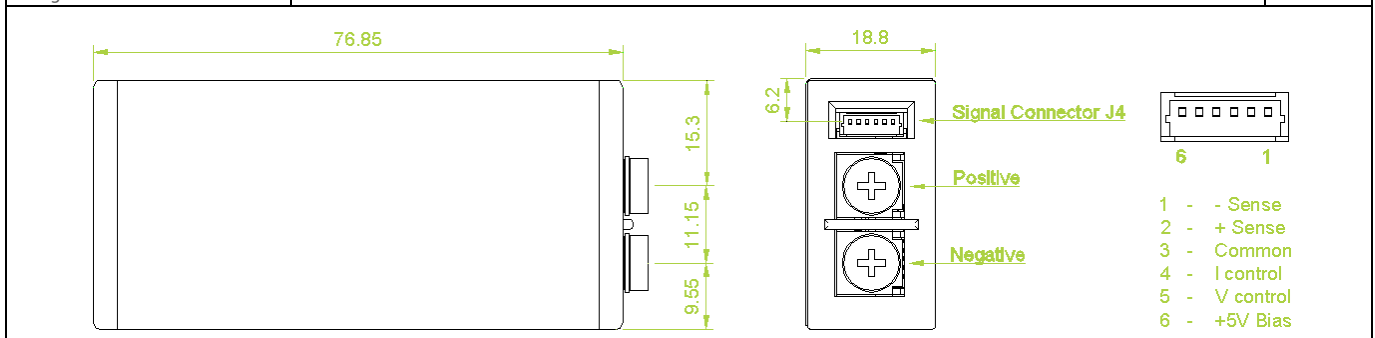
OUTPUT MODULE D: 18V-58V,3.75A, 150W

## OPD DATASHEET



### OUTPUT MODULE D SPECIFICATIONS

Parameter	Details	Min	Typical	Max	Units
Output Voltage Range	Manual adjustment	18	48	58	Volts
Output Current Rating				3.75	Amps
Output Power Rating				150	Watts
Peak Power Rating	Maximum 5 seconds			217.5	Watts
Initial voltage setting accuracy	Factory set units	-0.5		0.5	%
Load Regulation	Measured at sense terminals	-300		300	mV
Line Regulation	Measured at sense terminals	-0.1		0.1	%V <sub>NOM</sub>
Cross Regulation	Measured at sense terminals	-0.2		0.2	%V <sub>NOM</sub>
Minimum load		0			Watts
Temperature coefficient		-0.02		+0.02	%/°C
Ripple and Noise	20MHz BW, pk-pk			1	%V <sub>NOM</sub>
Transient response	25% to 75% load transient at 0.25A/uS Recovery to within 10% of V <sub>SET</sub>			3	Volts
Turn on rise time	Monotonic 10% to 90%	1.5		3.5	mS
Turn on overshoot				0.1	%V <sub>SET</sub>
Turn on delay	AC to PG EN to PG		2000 15	3000 20	mS
Current share accuracy	Error from ideal sharing current. Valid for loads > 20% of rating.	-5		+5	%
Open Sense offset	Voltage offset between sense lines and output terminals when sense lines unused			2	%V <sub>NOM</sub>
Holdup voltage				50	Volts
Isolation to ground	Each output terminal			500	Volts
Over current protection		105	115	125	%Rated
Reverse current protection		-6		0	%Rated
Short circuit protection	Period/Duty cycle/Voltage Threshold (Measured at sense terminals)		125/3/3.5		mS/%/V
Over Voltage Protection			66		Volts
Over Temperature Protection	Various locations	115		125	°C
Sense Cable Protection	Positive Negative	-1		2 1	Volts
Power Good Threshold	Low threshold only		90		%V <sub>SET</sub>
Current Output Signal	$V_{CURRENT} = 4 * I_{OUT} / I_{RATED}$	0		125	%Rated
Current Limit Control	$I_{LIMIT} = I_{RATED} * V_{CONTROL} / 4$	0		100	%Rated
Remote Voltage Control	$V_{OUT} = V_{SET} * (5 - V_{CONTROL}) / 3.8$	0		131.5	%V <sub>SET</sub>
Bias Supply	10mA Max	4.5		5.2	Volts
Reliability	30°C base, 100% load, SR332 Issue 2 Method I, Case 3, Ground, Fixed, Controlled			0.5	FPMH
Warranty				5	Years
Wire Size		20	18	10	AWG
Size	77 (L) x 18.8 (W) x 36 (H)				mm
Weight	100				Grams



All specifications are believed to be correct at time of publishing. Vox Power Ltd reserves the right to make changes to any of its products and to change or improve any part of the specification, electrical or mechanical design or manufacturing process without notice. Vox Power Ltd does not assume any liability arising out of the use or application of any of its products and of any information to the maximum extent permitted by law. No license, express or implied, by estoppel or otherwise, to any intellectual property rights is granted by this document or by any products of Vox Power Ltd. VOX POWER LTD DISCLAIMS ALL WARRANTIES AND REPRESENTATIONS OF ANY KIND WHETHER EXPRESS OR IMPLIED, INCLUDING, BUT NOT LIMITED TO, IMPLIED WARRANTIES OF SUITABILITY, FITNESS FOR PURPOSE, MERCHANTABILITY AND NON-INFRINGEMENT.

Please consult your local distributor or Vox Power directly to ensure that you have the latest revision before using the product and refer to the latest relevant user manual for further information relating to the use of the product. Vox Power Ltd products are not intended for use in connection with life support systems, human implantations, nuclear facilities or systems, aircraft, spacecraft, military or naval missile, ground support or control equipment used for the purpose of guidance navigation or direction of any aircraft, spacecraft or military or naval missile or any other application where product failure could lead to loss of life or catastrophic property damage. The user will hold Vox Power Ltd harmless from any loss, cost or damage resulting from its breach of these provisions.