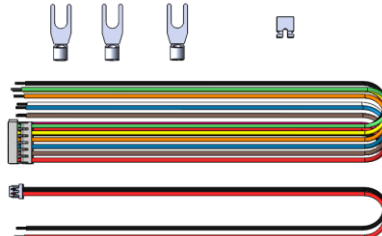
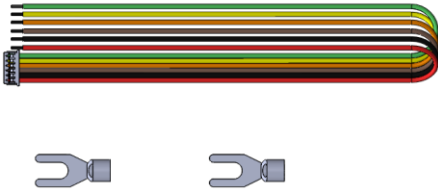
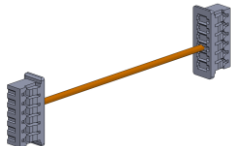
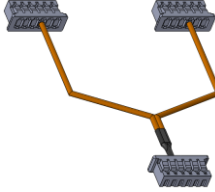





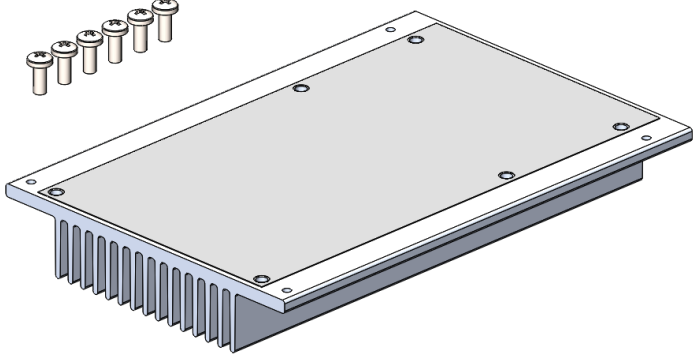
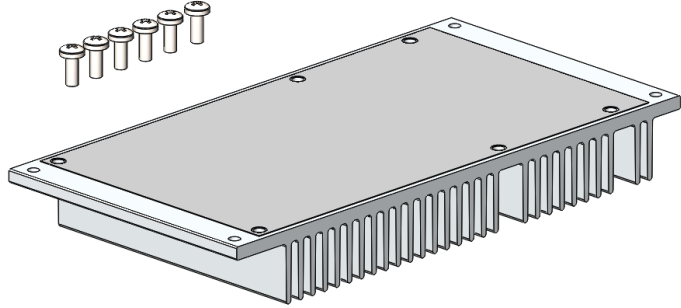


Cable Sets		
Name		Specification
CAB-VC6	AC Input and Global Signals set for VCCM600 Series	
CAB-VSOPL	Single Output Cable Set VCCM 150 Watt Modules	
CAB-CS2	Cable - NEVO & VCCM Share 2 Link	
CAB-CS3	Cable - NEVO & VCCM Share 3 Link	
CAB-CS4	Cable - NEVO & VCCM Share 4 Link	
CAB-CS5	Cable - NEVO & VCCM Share 5 Link	
CAB-CS6	Cable - NEVO & VCCM Share 6 Link	
CAB-CS7-P	Cable - NEVO & VCCM Share 7 Link - 50 Pack	
CAB-CS8-P	Cable - NEVO & VCCM Share 8 Link - 50 Pack	

Heat Sinks		
Name	Specification	
ACC-HS1	<ul style="list-style-type: none"> Heat Sink 1 Insulator 6 of M4 x 10mm PHP Screws 	
ACC-HS2	<ul style="list-style-type: none"> Heat Sink 2 Insulator 6 of M4 x 10mm PHP Screws 	

All specifications are believed to be correct at time of publishing. Vox Power Ltd reserves the right to make changes to any of its products and to change or improve any part of the specification, electrical or mechanical design or manufacturing process without notice. Vox Power Ltd does not assume any liability arising out of the use or application of any of its products and of any information to the maximum extent permitted by law. No license, express or implied, by estoppel or otherwise, to any intellectual property rights is granted by this document or by any products of Vox Power Ltd. VOX POWER LTD DISCLAIMS ALL WARRANTIES AND REPRESENTATIONS OF ANY KIND WHETHER EXPRESS OR IMPLIED, INCLUDING, BUT NOT LIMITED TO, IMPLIED WARRANTIES OF SUITABILITY, FITNESS FOR PURPOSE, MERCHANTABILITY AND NON-INFRINGEMENT. Please consult your local distributor or Vox Power directly to ensure that you have the latest revision before using the product and refer to the latest relevant user manual for further information relating to the use of the product. Vox Power Ltd products are not intended for use in connection with life support systems, human implantations, nuclear facilities or systems, aircraft, spacecraft, military or naval missile, ground support or control equipment used for the purpose of guidance navigation or direction of any aircraft, spacecraft or military or naval missile or any other application where product failure could lead to loss of life or catastrophic property damage. The user will hold Vox Power Ltd harmless from any loss, cost or damage resulting from its breach of these provisions.