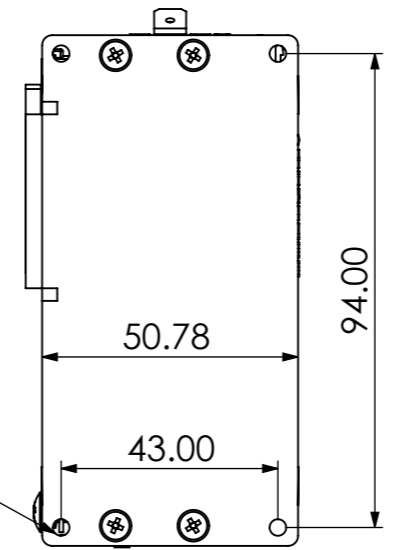
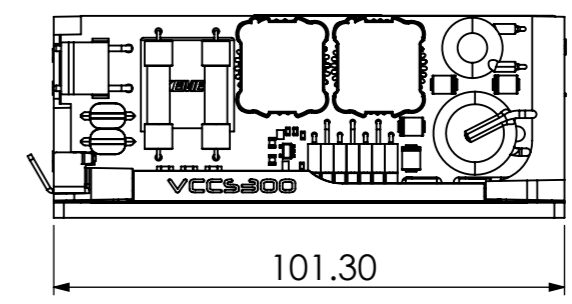
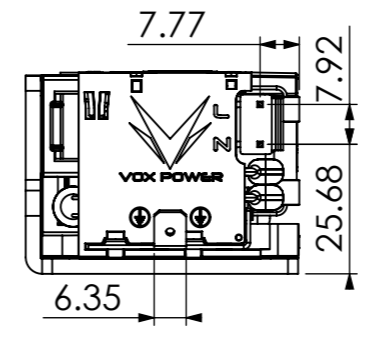
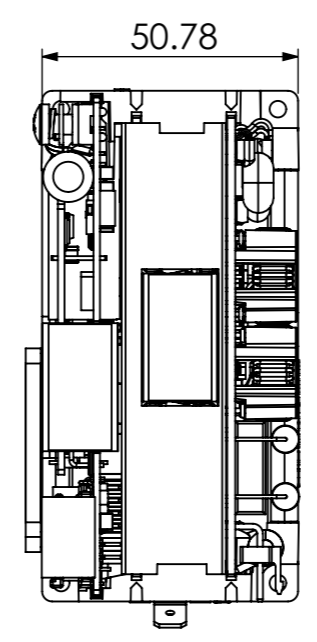
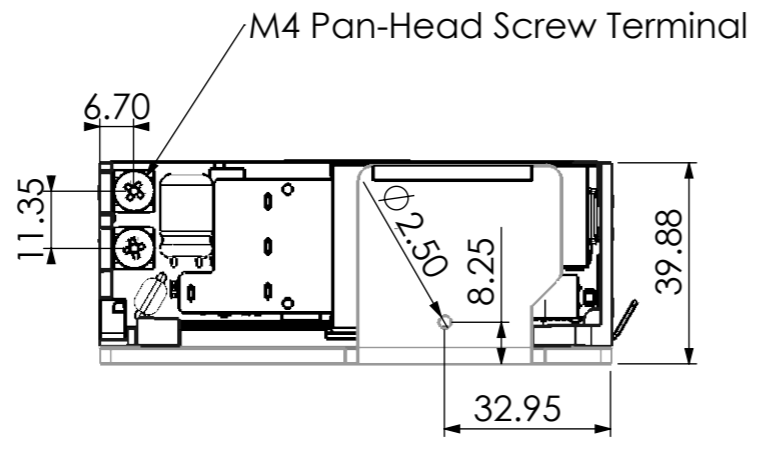
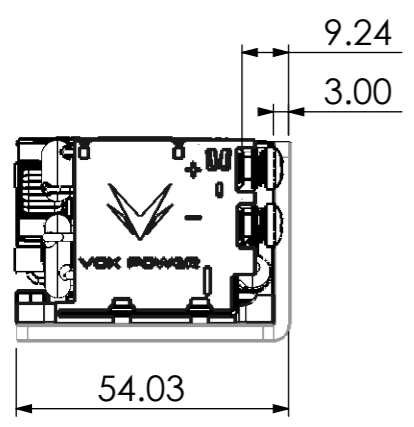


IF IN DOUBT ALWAYS ASK

NEXT HIGHER ASSY



Mounting:
From Bottom: M4
From Top: M3

REV.	SIGNED	DATE	ECD#
01	RB	06-11-2020	NA

UNLESS OTHERWISE SPECIFIED DIMENSIONS ARE IN MILLIMETERS TOLERANCES: As Per DIN 2768-1/-2CLASS M	FINISH: NA	PART NUMBER: NA	TITLE: VCCS300
		MATERIAL: NA	DWG NO. DOC-DWG-002
This document and its contents are the copyright property of VOX POWER Ltd. and may not be copied in whole or in part without written permission from VOX POWER Ltd.		Sheet 1 of 1	Not to Scale

