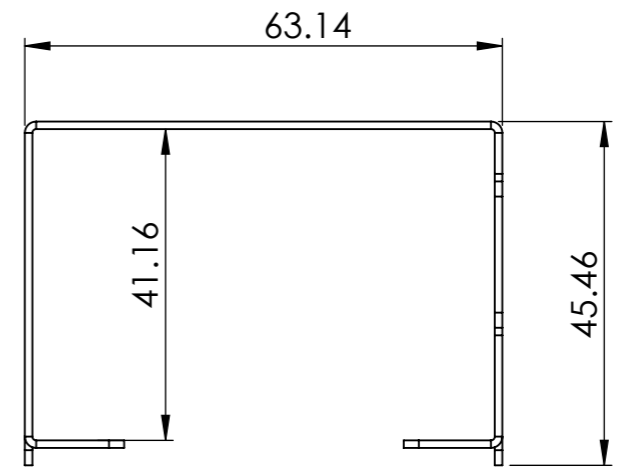
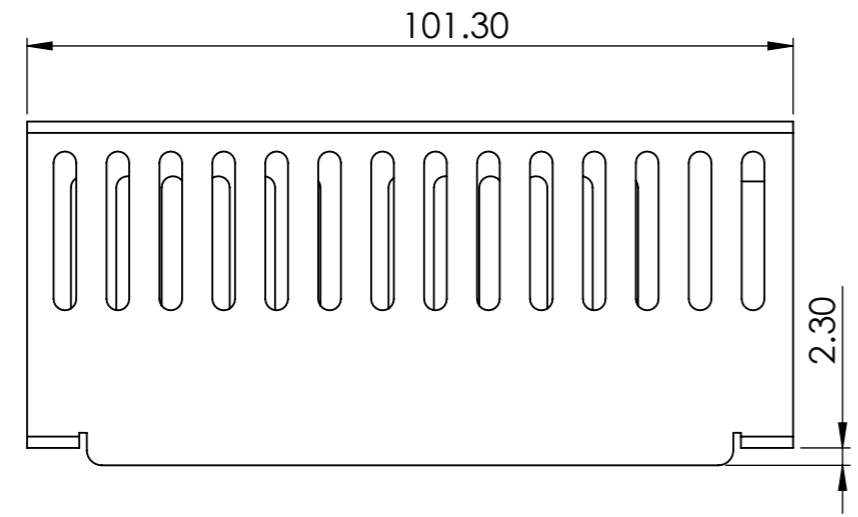
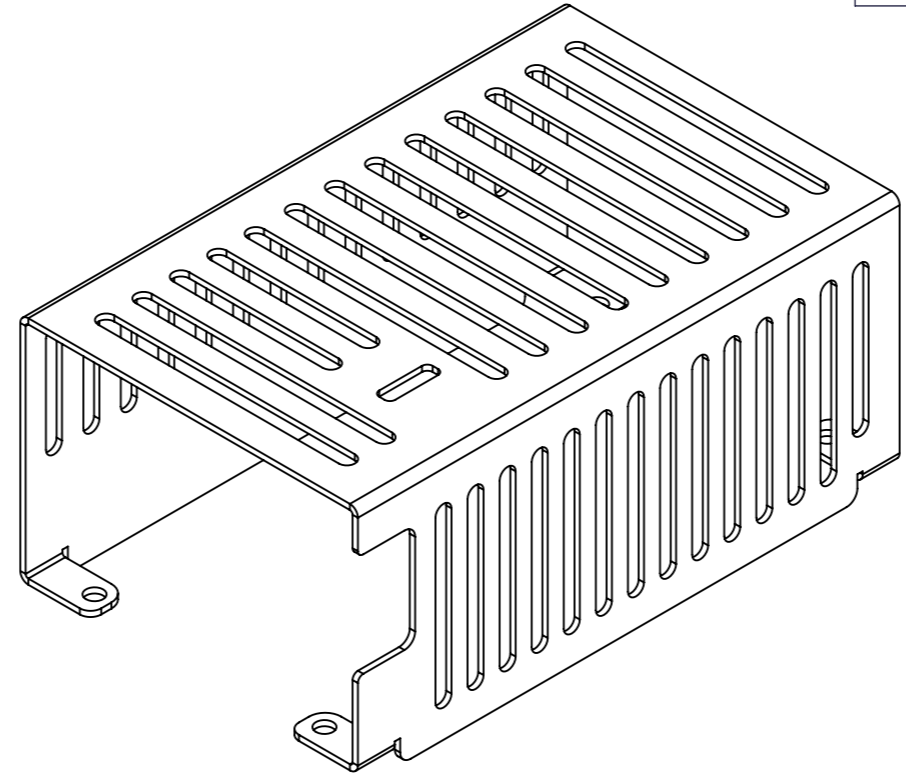


IF IN DOUBT ALWAYS ASK

NEXT HIGHER ASSY  
-----



REV.	SIGNED	DATE	ECD#
RB		09-11-2020	NA

UNLESS OTHERWISE SPECIFIED  
DIMENSIONS ARE IN MILLIMETERS

TOLERANCES:  
As Per DIN 2768-1/-2CLASS M

FINISH:  
Galvanised and Black

PART NUMBER:  
NA

MATERIAL:  
1.00mm Steel

TITLE: Finger Guard Dimensions

DWG NO.

Sheet 1 of 1

Not to Scale

Scale 1:1



This document and its contents are the copyright property of VOX POWER Ltd. and may not be copied in whole or in part without written permission from VOX POWER Ltd.