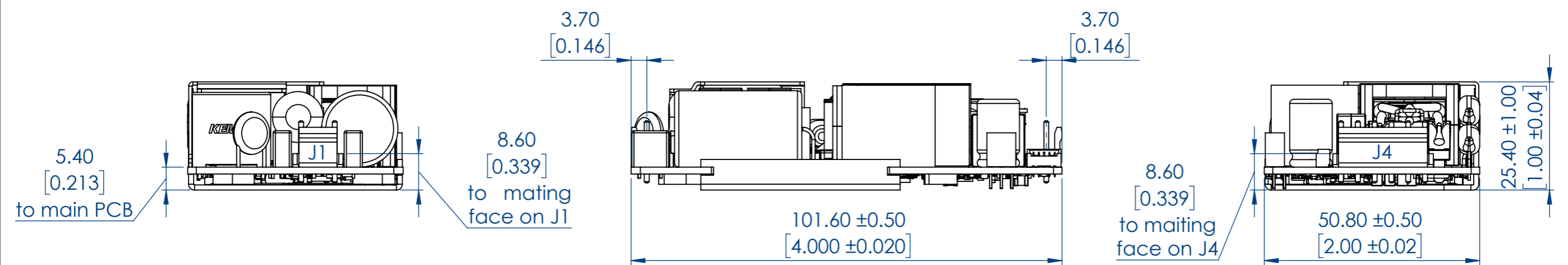
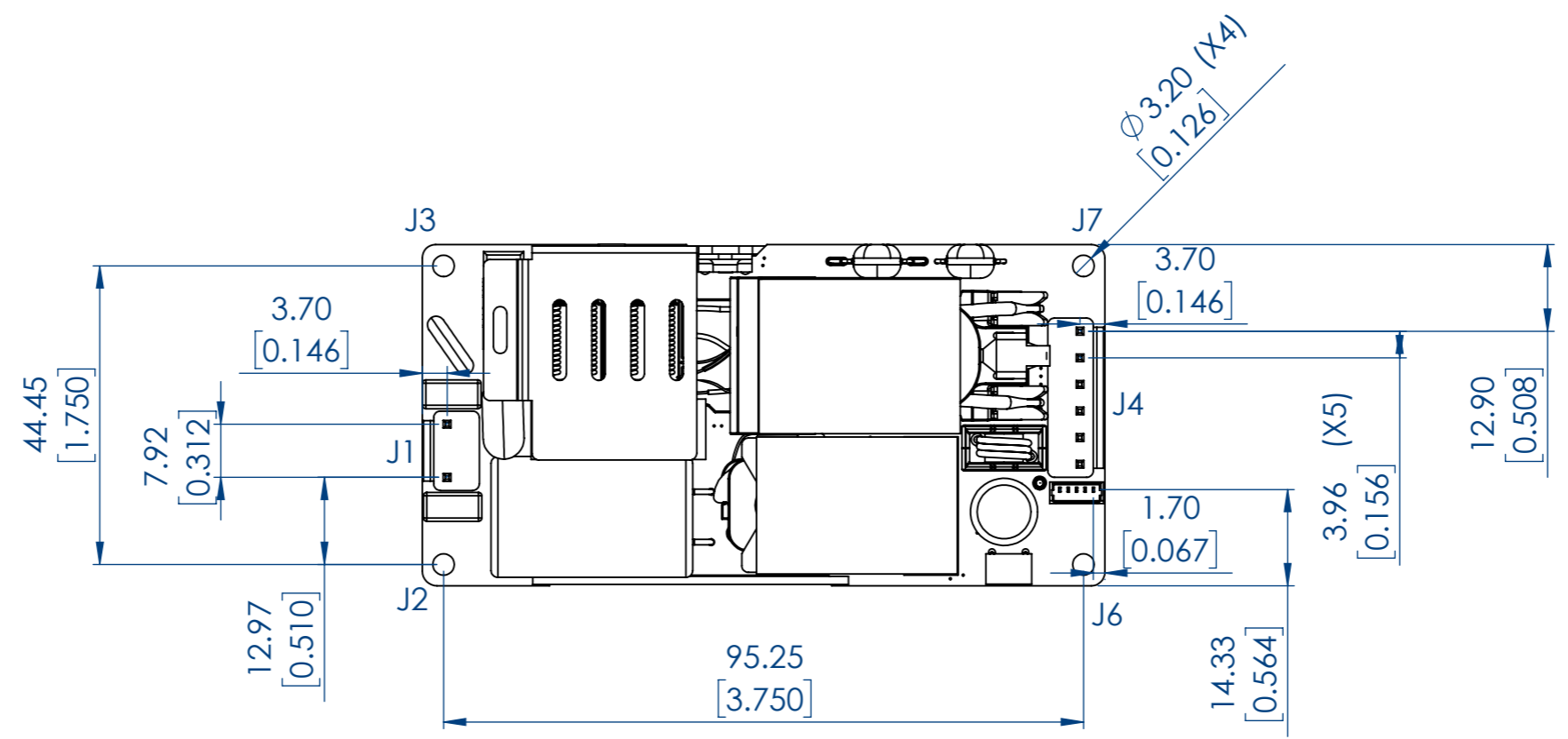


IF IN DOUBT ALWAYS ASK

NEXT HIGHER ASSY



REV.	SIGNED	DATE	ECD#
01	Robin Blakey	09-10-2024	NA

UNLESS OTHERWISE SPECIFIED
DIMENSIONS ARE IN MILLIMETERS

TOLERANCES:
As Per DIN 2768-1/-2CLASS M

FINISH:
NA

PART NUMBER:
NA

MATERIAL:
NA

TITLE:
EIRE300

DWG NO. DOC-DWG-007

Sheet 1 of 1

Not to Scale

Scale 1:1



This document and its contents are the copyright property of VOX POWER Ltd. and may not be copied in whole or in part without written permission from VOX POWER Ltd.