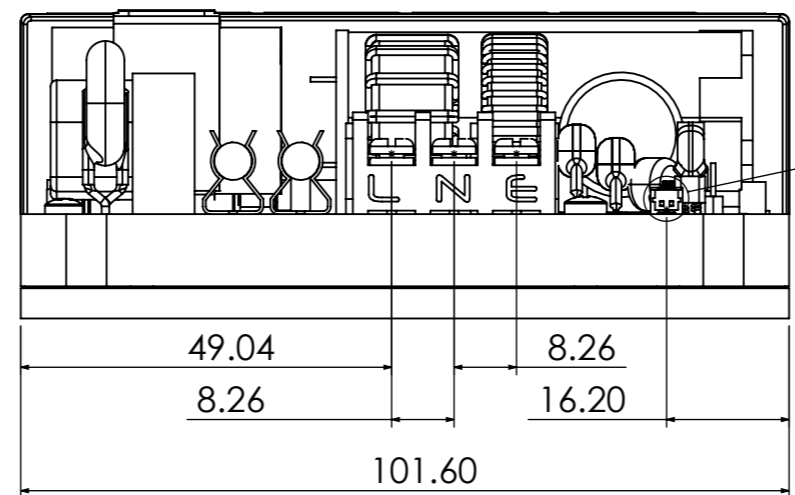


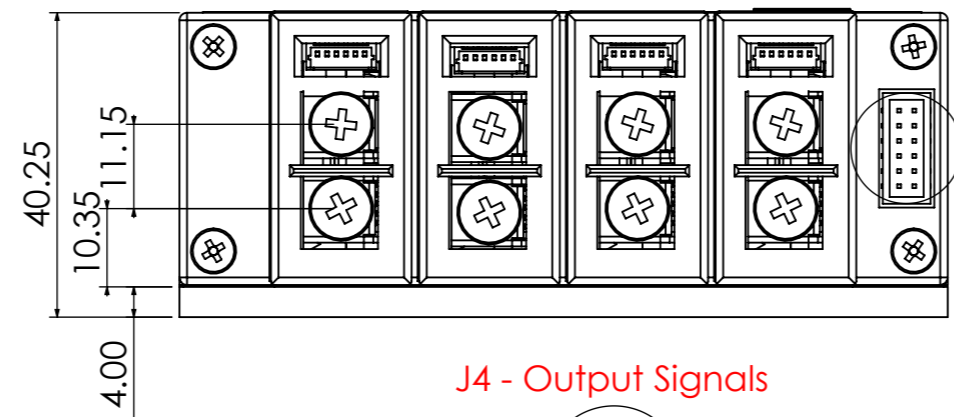
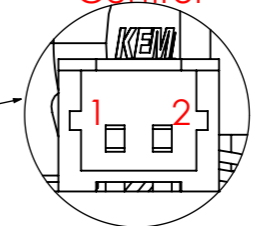
IF IN DOUBT ALWAYS ASK

NEXT HIGHER ASSY

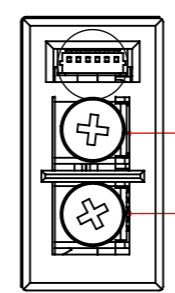
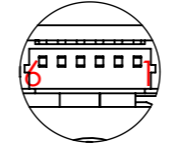
J1 - Mains Connector



J2 - Standby Control

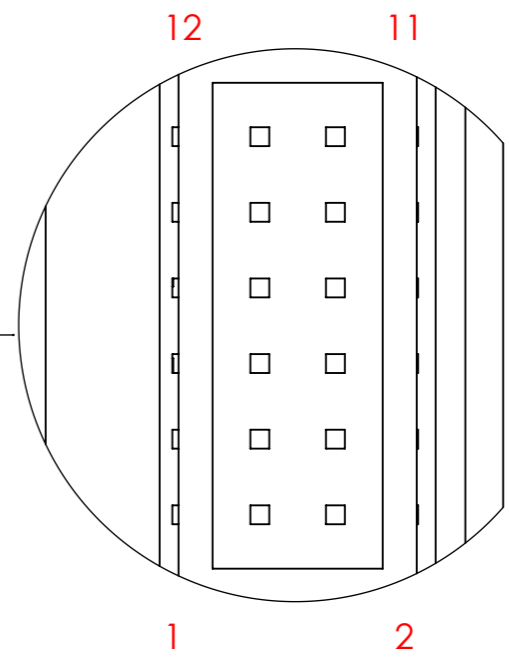


J4 - Output Signals



+ Positive Power

- Negative Power



REV.	SIGNED	DATE	ECD#
04	RB	23-11-2020	NA
03	MP	28-03-2017	----
02	MP	14-10-2016	----
01	MP	30-03-2016	----

UNLESS OTHERWISE SPECIFIED
DIMENSIONS ARE IN MILLIMETERS

TOLERANCES:
As Per DIN 2768-1/-2CLASS M

FINISH:
NA

PART NUMBER:
NA

MATERIAL:
NA

TITLE: VCCM600 Public Facing Drawing

DWG NO. DOC-DWG-001

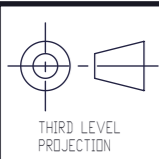
Sheet 1 of 2

Not to Scale

Scale 1:1

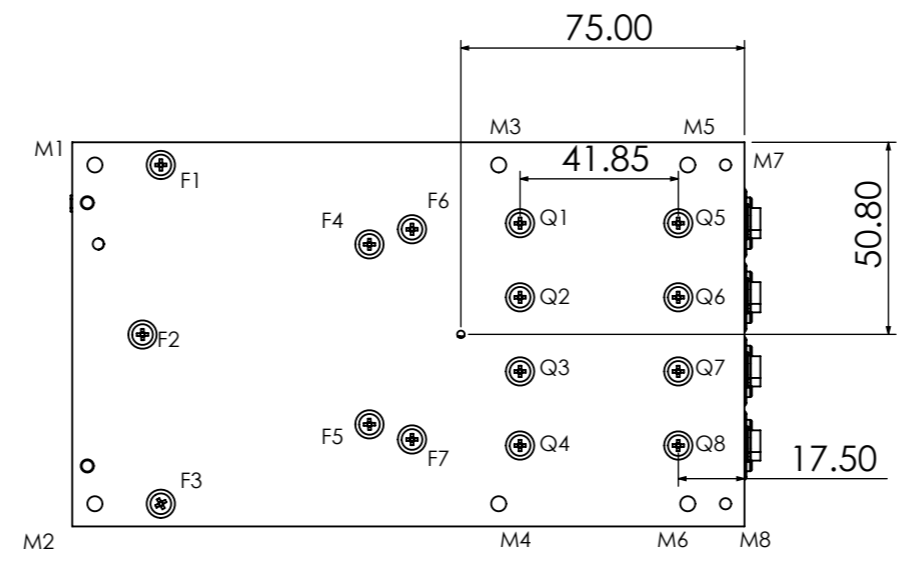
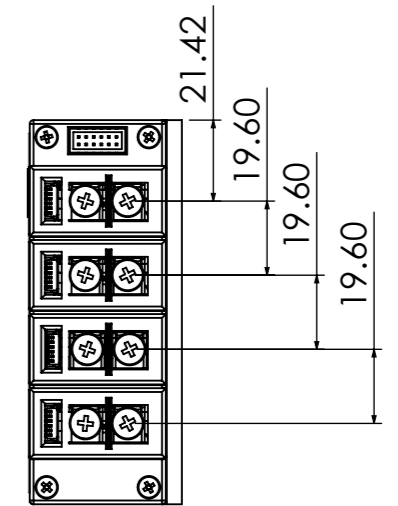
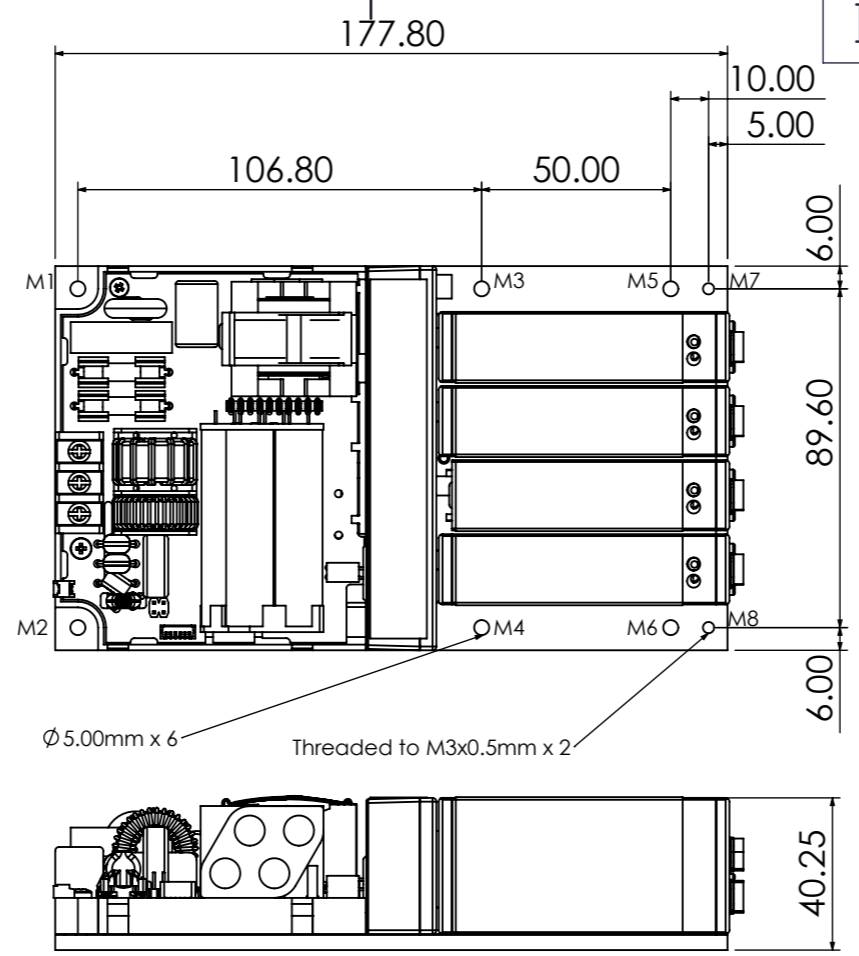
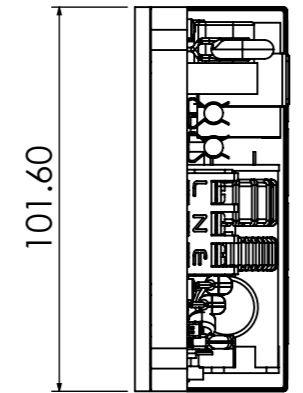


This document and its contents are the copyright property of VOX POWER Ltd. and may not be copied in whole or in part without written permission from VOX POWER Ltd.



IF IN DOUBT ALWAYS ASK

NEXT HIGHER ASSY



REV.	SIGNED	DATE	ECD#
04	RB	23-11-2020	NA
03	MP	28-03-2017	----
02	MP	14-10-2016	----
01	MP	30-03-2016	----

UNLESS OTHERWISE SPECIFIED DIMENSIONS ARE IN MILLIMETERS
TOLERANCES:
As Per DIN 2768-1/-2CLASS M

FINISH:
NA

PART NUMBER:
NA
MATERIAL:
NA

TITLE: VCCM600 Public Facing Drawing
DWG NO. DOC-DWG-001

