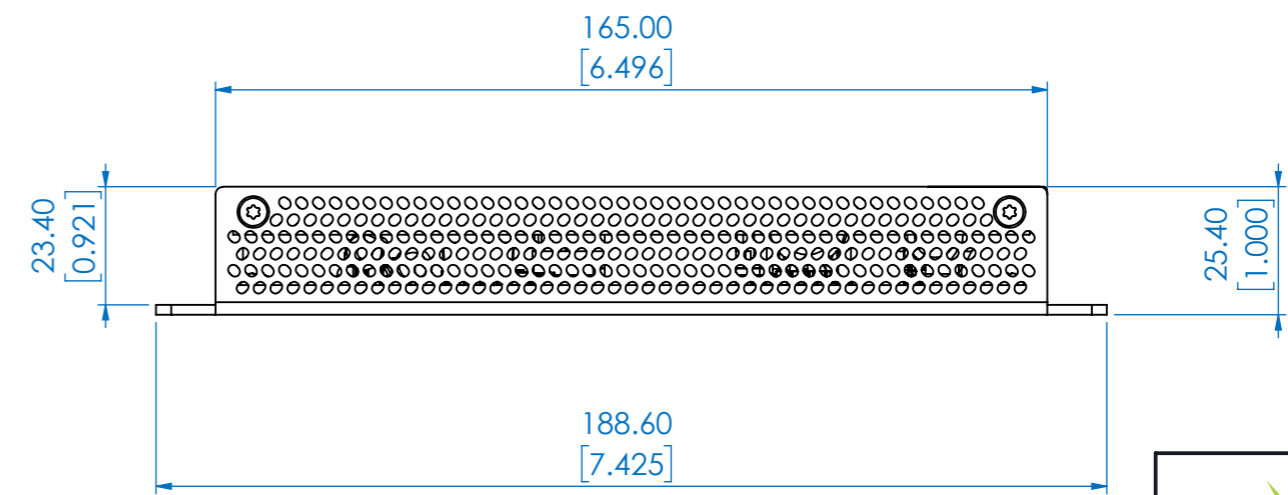
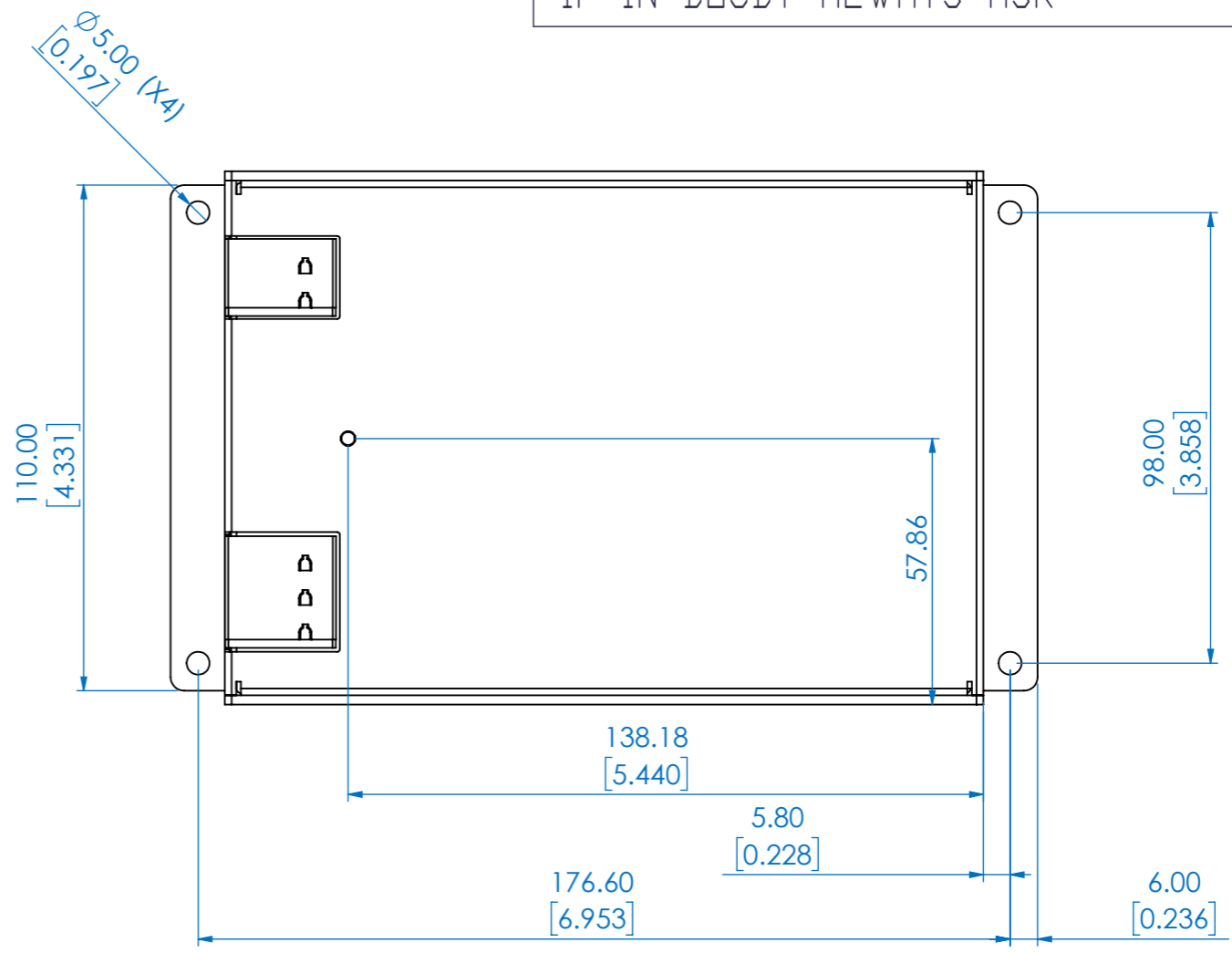
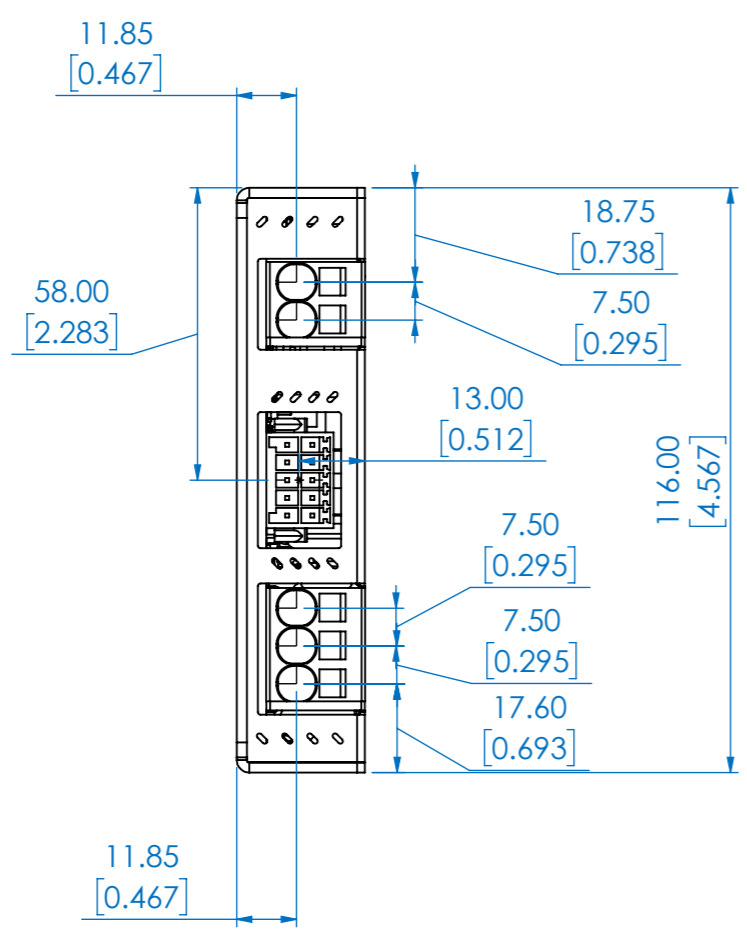


IF IN DOUBT ALWAYS ASK

NEXT HIGHER ASSY



REV.	SIGNED	DATE	ECD#
01	Robin Blakey	08-11-2023	NA

UNLESS OTHERWISE SPECIFIED
DIMENSIONS ARE IN MILLIMETERS

TOLERANCES:
As Per DIN 2768-1/-2CLASS M

FINISH:
NA

PART NUMBER:
NA

MATERIAL:
NA

TITLE:
VCCS300

DWG NO. DOC-DWG-006

